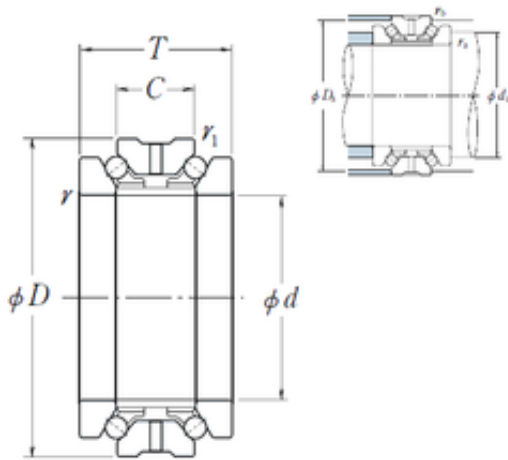




Bearing Electronic Instrument Co., Ltd.

NSK 130TAC20X+L thrust ball bearings

Bearing No. 130TAC20X+L



130TAC20X+L Bearing 2D drawings and 3D CAD models

Size	130x200x84 mm
Bore Diameter	130 mm
Outer Diameter	200 mm
Width	84 mm
d	130 mm
D	200 mm
T	84 mm
C	42 mm
Angle (°)	60 °
r min.	2 mm
r1 min.	1 mm
Da	187 mm
ra max.	2 mm
rb max.	1 mm
da	160 mm
Weight	8,2 Kg
Basic dynamic load rating (C)	134 kN
Basic static load rating (C0)	455 kN
(Grease) Lubrication Speed	2800 r/min