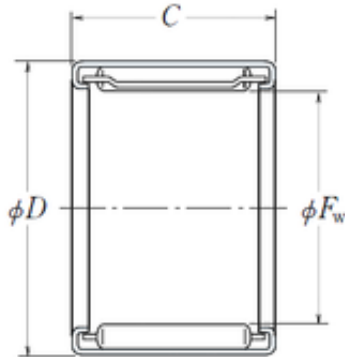




# Bearing Electronic Instrument Co., Ltd.

## NSK FJ-4016 needle roller bearings



Bearing No. FJ-4016

FJ-4016 Bearing 2D drawings and 3D CAD models

Size	40x47x16 mm
Bore Diameter	40 mm
Outer Diameter	47 mm
Width	16 mm
Fw	40 mm
D	47 mm
C	16 mm
Weight	0,034 Kg
Basic dynamic load rating (C)	18600 kN
(Grease) Lubrication Speed	4800 r/min
NB-DI	0
NA-DEX	45.367
hidYobi	FJ-4016
LangID	1
D_	47
NC-SLR	10.8
B_	16
hidTable	ecat_NSDCNR
mass_k	34
GRS rpm	4800
NC-SLR1	0
C0	32.422
C1	16
Prod_Type3	NRB_DC_FJ-MFJ_WC_OT
d	40



## Bearing Electronic Instrument Co., Ltd.

NC-RAC	0
Pmax	13600
N-SDM	0
yobi	FJ-4016
C1_C2	1
ND-Z	30
OIL rpm	7500
NC-DA	2.677
N-KBRG	8201
NC-KMS	30