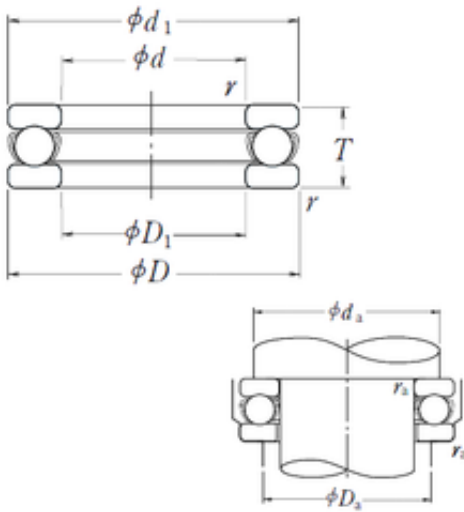




Bearing Electronic Instrument Co., Ltd.



51328X Bearing 2D drawings and 3D CAD models

NSK 51328X thrust ball bearings

Bearing No. 51328X

Size	140x240x80 mm
Bore Diameter	140 mm
Outer Diameter	240 mm
Width	80 mm
d	140 mm
D	240 mm
T	80 mm
d1	235 mm
r min.	2,1 mm
D1	144 mm
da min.	199 mm
Da max.	181 mm
ra max.	2 mm
Weight	14,2 Kg
Basic dynamic load rating (C)	370 kN
Basic static load rating (C0)	1130 kN
(Grease) Lubrication Speed	670 r/min
SRI	18.85
hidYobi	51328X
LangID	1
D_	240
SREX	0.125
C	370
B_	80
hidTable	ecat_NSSDTB
Oil rpm	1000



Bearing Electronic Instrument Co., Ltd.

SRE	18.85
mass	14.2
GRS rpm	670
ra	2
SRIX	0.125
D_a	181
SRIN	0
C0	1130
SREN	0
D_1	144
Prod_Type3	TB_SD_WFS
da	199
DA_	34.925
Z_	15
yobi	51328X
SDM_	190
r	2.1
T_	80
KBRG	5114