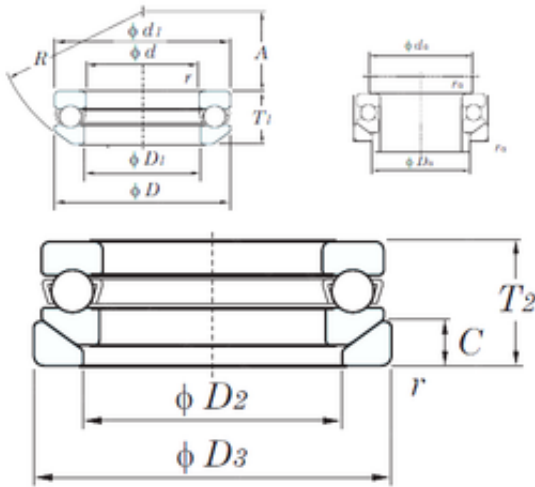




Bearing Electronic Instrument Co., Ltd.



53208U Bearing 2D drawings and 3D CAD models

KOYO 53208U thrust ball bearings

Bearing No. 53208U

Size	40x68x20.3 mm
Bore Diameter	40 mm
Outer Diameter	68 mm
Width	20,3 mm
d	40 mm
D	68 mm
T1	20,3 mm
T2	23 mm
d1	68 mm
r min.	1 mm
A	28,5 mm
C	7 mm
D1	42 mm
D2	55 mm
D3	72 mm
R	56 mm
da min.	57 mm
Da max.	51 mm
ra max.	1 mm
Weight	0,34 Kg
Basic dynamic load rating (C)	47 kN
Basic static load rating (C0)	98,3 kN
(Grease) Lubrication Speed	2700 r/min
Bearing No.	53208U
T	23
r(min)	1



Bearing Electronic Instrument Co., Ltd.

Ca	58.7
Coa	98.3
Cu	4.45
Grease lub.	2700
Oil lub.	4200
d1(max)	68
D1(min)	42
D2(min)	55
D3(min)	72
da(min)	57
Da(max)	51
ra(max)	1
(Refer.)Mass(kg)	0.340