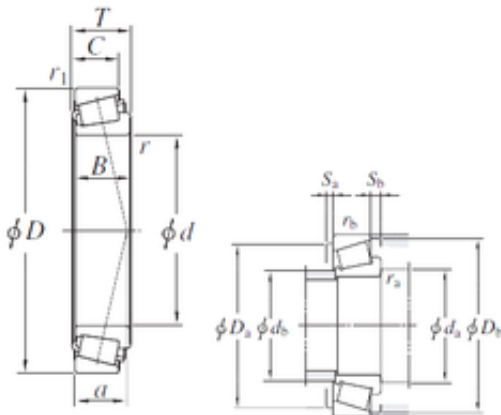




Bearing Electronic Instrument Co., Ltd.

KOYO LM245833/LM245810 tapered roller bearings

Bearing No. LM245833/LM245810



LM245833/LM245810 Bearing 2D drawings and 3D CAD models

Size	220.878x317.5x47.625 mm
Bore Diameter	220,878 mm
Outer Diameter	317,5 mm
Width	47,625 mm
d	220,878 mm
D	317,5 mm
T	47,625 mm
B	52,388 mm
C	36,513 mm
a	50,5 mm
r min.	3,2 mm
r1 min.	3,2 mm
r2 min.	3,2 mm
da min.	234 mm
Da min	296 mm
Da max.	305 mm
Da	309 mm
db max.	253 mm
db min	228 mm
ra max.	3,2 mm
rb max.	3,2 mm
Db	304 mm
Weight	12,3 Kg
Basic dynamic load rating (C)	488 kN
Basic static load rating (C0)	928 kN



Bearing Electronic Instrument Co., Ltd.

(Grease) Lubrication Speed	970 r/min
(Oil) Lubrication Speed	1300 r/min
Calculation factor (e)	0,33
Calculation factor (Y0)	0,99