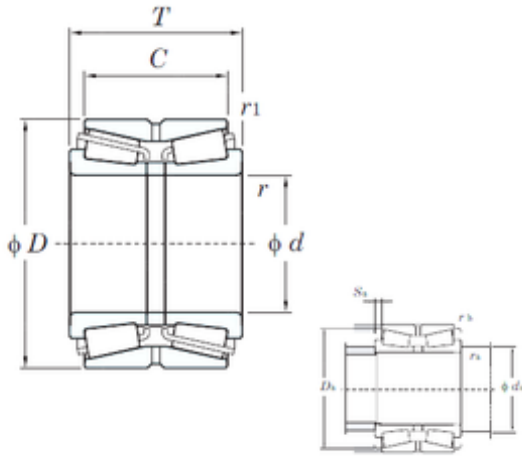




Bearing Electronic Instrument Co., Ltd.



KOYO 46276 tapered roller bearings

Bearing No. 46276

Size	380x560x135 mm
Bore Diameter	380 mm
Outer Diameter	560 mm
Width	135 mm
d	380 mm
D	560 mm
T	135 mm
C	122 mm
r min.	6 mm
r1 min.	2 mm
da min.	408 mm
Da min	530 mm
ra max.	5 mm
rb max.	2 mm
Weight	100 Kg
Basic dynamic load rating (C)	1740 kN
Basic static load rating (C0)	3560 kN
(Grease) Lubrication Speed	370 r/min
(Oil) Lubrication Speed	500 r/min
Calculation factor (e)	0,32
Calculation factor (Y0)	2,07
Bearing No.	46276
r(min)	6
r1(min)	2
Cr	2190
C0r	3560

46276 Bearing 2D drawings and 3D CAD models



Bearing Electronic Instrument Co., Ltd.

Cu	177
Grease lub.	370
Oil lub.	500
da(min)	408
Da(min)	550
Sa(min)	6.5
ra(max)	5
rb(max)	2
e	0.32
Y2	2.12
Y3	3.15
Y0	2.07
(Refer.)Mass(kg)	100