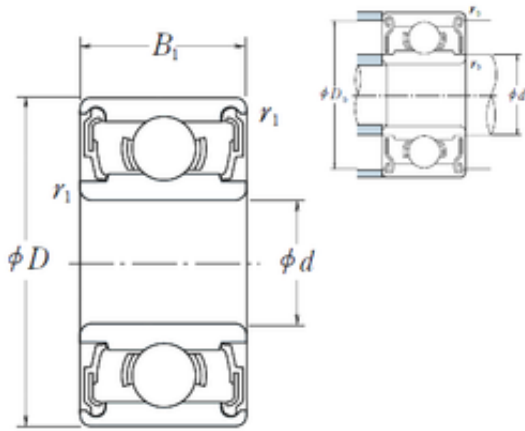




Bearing Electronic Instrument Co., Ltd.



ISO 626-2RS deep groove ball bearings

Bearing No. 626-2RS

Size	6x19x6 mm
Bore Diameter	6 mm
Outer Diameter	19 mm
Width	6 mm
d	6 mm
D	19 mm
B	6 mm
C	6 mm
r min.	0,3 mm

626-2RS Bearing 2D drawings and 3D CAD models