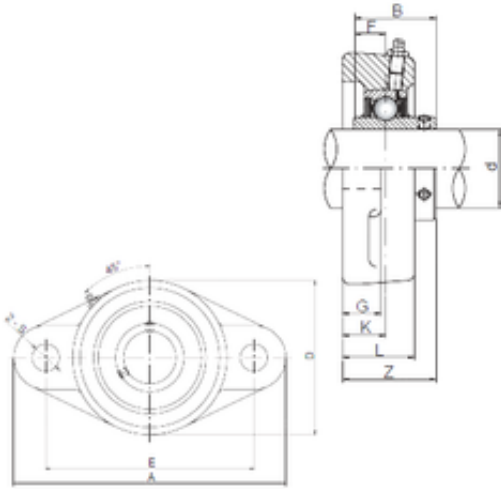




Bearing Electronic Instrument Co., Ltd.

ISO UCFLX10 bearing units

Bearing No. UCFLX10



Bore Diameter	50 mm
d	50 mm
B	55,6 mm
Z	59,4 mm
A	216 mm
D	133 mm
E	184 mm
F	22,2 mm
G	18 mm
K	26 mm
L	44 mm
S	19 mm
Bolt (G)	M16

UCFLX10 Bearing 2D drawings and 3D CAD models