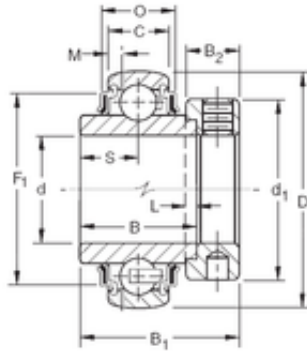




Bearing Electronic Instrument Co., Ltd.

G-KRRB Two Seals
Spherical O.D.



Timken G1211KRRB deep groove ball bearings

Bearing No. G1211KRRB

Size	68.2625x125x68.26 mm
Bore Diameter	68,2625 mm
Outer Diameter	125 mm
Width	68,26 mm
d	68,2625 mm
D	125 mm
B	68,26 mm
C	28 mm
P	35,94 mm
O	109,17 mm
d1	96,8 mm
B1	5,08 mm
B2	23,8 mm
L	6,4 mm
S	34,1 mm
F1	79,4 mm
Weight	2,585 Kg
Basic dynamic load rating (C)	69,5 kN

G1211KRRB Bearing 2D drawings and 3D CAD models