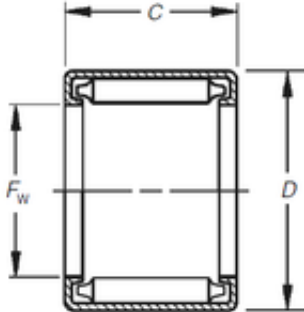




Bearing Electronic Instrument Co., Ltd.

Timken BH-228 needle roller bearings



Bearing No. BH-228

Size	34.925x44.45x12.7 mm
Bore Diameter	34,925 mm
Outer Diameter	44,45 mm
Width	12,7 mm
Fw	34,925 mm
D	44,45 mm
C	12,7 mm
Weight	0,044 Kg
Basic dynamic load rating (C)	21,2 kN
Basic static load rating (C0)	33,5 kN
(Grease) Lubrication Speed	3000 r/min

BH-228 Bearing 2D drawings and 3D CAD models